

NAKNAK

1/2

PARALLEL

Designer

Hsiaolin Chi

Material

Steel

Finishing

Powder Coating

Texture

Fine Sand

Capacity

Large 15 umbrellas

Small 9 umbrellas



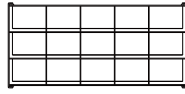
With a special grid structure, most long and short umbrellas can be neatly arranged at the same time. PARALLEL meets the needs of public space umbrella stands to accommodate various umbrellas and maintain their appearance. By reducing the height of the vertical partitions, the multi-layered parallel lines formed by the horizontal partitions become the main styling vocabulary, making the overall visual experience more simple and neat, and easily integrated into various spaces.

以特殊的方格結構讓大部分的長、短傘可以同時整齊排列其中，PARALLEL 滿足公共空間傘架需容納各式雨傘並維持美觀的需求。藉由降低垂直方向隔板的高度，讓橫向隔板構成的多層平行線成為主要造型語彙，讓整體視覺感受更為簡約俐落，輕易融入各種空間之中。

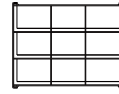
NAKNAK

2/2

Large



Small



PARALLEL

Designer

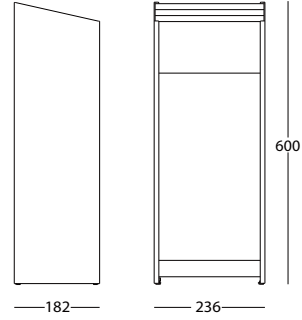
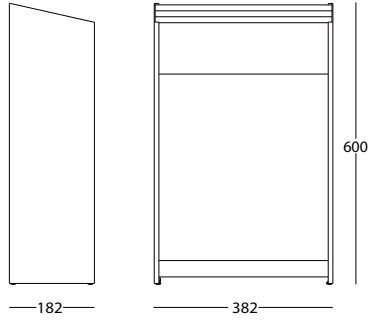
Hsiaolin Chi

Material

Steel

Finishing

Powder Coating



Texture

Fine Sand

Capacity

Large 15 umbrellas

Small 9 umbrellas

Large



Black

Small



Black



Gray



Gray