

# NAKNAK

1/2

## HOOP

### Designer

Mika Tolvanen

### Material

Steel, Cast Iron

### Finishing

Powder Coating

### Texture

Fine Sand

### Capacity

8 umbrellas



**HOOP is a modern take on an antique umbrella stand that designer Mika saw at a flea market. A slender oval wire suspended above a cast iron base offers stable umbrella storage with a compact footprint.**

設計師Mika在市集發現古董傘架並從中得到靈感，將其轉化為符合現代美感的物件。HOOP兩傘架以節省佔用玄關空間為設計目標，保留底座及支撐兩傘的架構，呈現輕盈的視覺穿透感，自然地融入周遭情境。

# NAKNAK

2/2

## HOOP

### Designer

Mika Tolvanen

### Material

Steel, Cast Iron

### Finishing

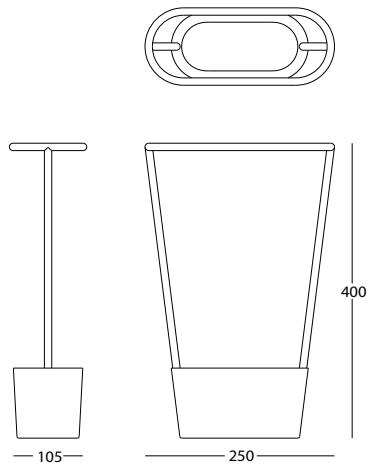
Powder Coating

### Texture

Fine Sand

### Capacity

8 umbrellas



Pink



Black



Blue



Dark Gray