

1/2

HEX KEY

Designer
Yuko Maki

Material
Steel

Finishing
Powder Coating

Texture
Fine Sand

Loading
3 kgs

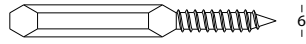


HEX KEY is a key holder inspired by the ubiquitous hex key tool. By using wire bending technique, Yuko Maki added one more curve to the hex key tool to invent a key holder. With this minimal transformation an everyday object gains a new function that reveals its original beauty.

HEX KEY 六角掛勾的設計概念來自於六角扳手 (Hex Key)，原用來鎖螺栓和螺釘的工具。設計師以此工具為原型，透過巧妙的線條延伸彎折，即成為吊掛鑰匙的掛勾，使其獨特的六角斷面美感能在更貼近日常生活的物件上呈現。

NAKNAK

2/2



HEX KEY

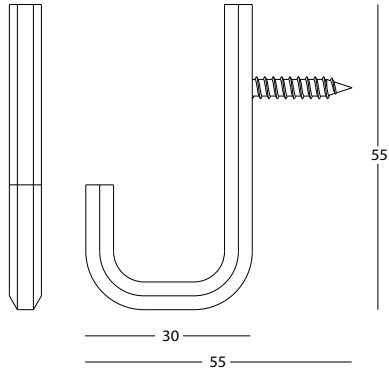
Designer
Yuko Maki

Material
Steel

Finishing
Powder Coating

Texture
Fine Sand

Loading
3 kgs



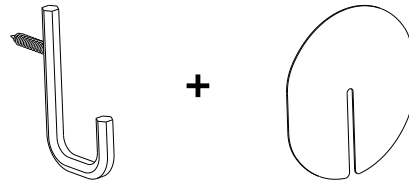
Pink

Yellow

Black

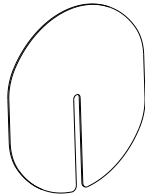
White

Contents



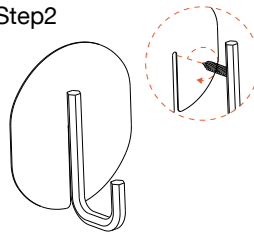
Assembly

Step1



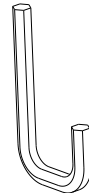
Put the pad on where one desire to locate the hex key at to protect the wall.

Step2



Locate the hex key. Then start rotating the hex key into the wall. Once the hex key is completely screwed into the wall, take out the protecting pad.

Step3



Complete.